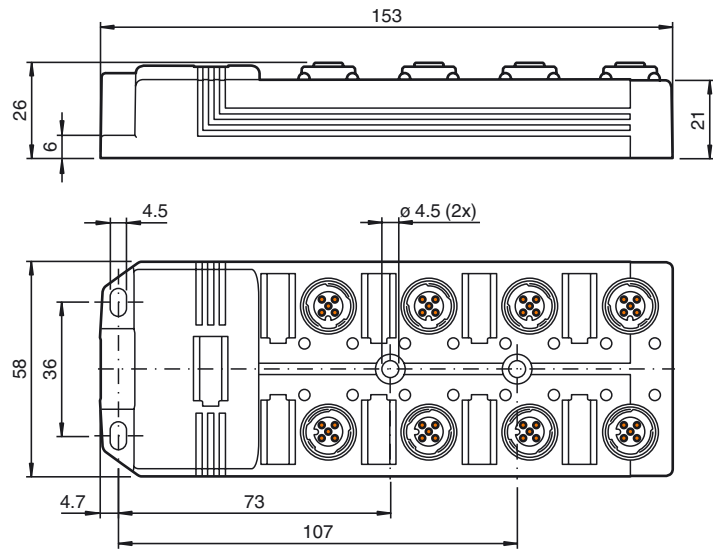




Dimensions



Model Number

V1-8/16A-5M-PUR-O4

Splitter box octuple, twin configuration, with trunk cable

Features

- Twin communication of the plug-in stations

Accessories

VAZ-V1-B3

Blind plug for M12 sockets

MH 05-SACB-8

Mounting aid for splitter boxes for DIN rail

V15S-T-V15

Y distributor, M12 connector on M12 socket/socket

MH V1-SCREWDRIVER

torque screwdriver (0.4 Nm)

MH V1-BIT M12

plug-in cap M12

Technical data

General specifications

Number of pins	5
----------------	---

Electrical specifications

Operating voltage	U_B	48 V AC/DC
Current loading capacity		≤ 2 A per channel, ≤ 4 A per plug-in station, ≤ 12 A total current per separator

Output

Number/Type	8 , twin configuration
-------------	------------------------

Ambient conditions

Ambient temperature	housing: -30 ... 90 °C (-22 ... 194 °F) cable, flexing: -5 ... 80 °C (23 ... 176 °F) cable, fixed: -40 ... 90 °C (-40 ... 194 °F)
---------------------	-----------------------------------------------------------------------------------------------------------------------------------------

Mechanical specifications

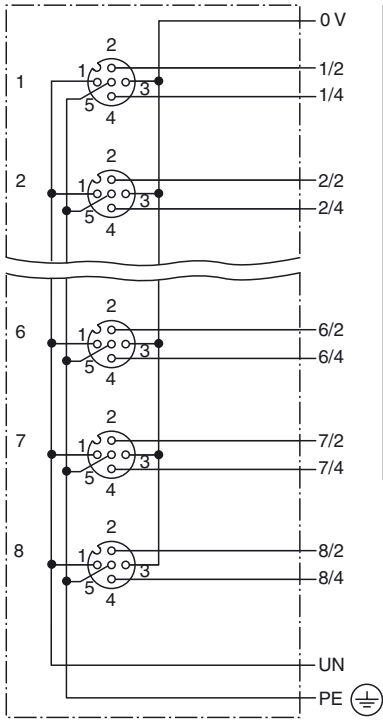
Connection type	8 x socket M12 x 1 Master cable
Degree of protection	IP65 / IP67 / IP69
Material	
Contacts	Cu alloy
Contact surface	Au
Housing	PBT
Cable	PUR
Seal	O-ring: FPM
Cable	flexible
Sheath diameter	\varnothing 10.5 mm
Bending radius	> 10 x cable diameter, moving
Color	black
Cores	Signal wire (2, 4): $16 \times 0.5 \text{ mm}^2$ Supply wire (1, 3), PE (5): $3 \times 1 \text{ mm}^2$
Conductor construction	$28 \times 0.15 \text{ mm } \varnothing$ and $56 \times 0.15 \text{ mm } \varnothing$
Length	L 5 m
Flammability	94 V-0

Compliance with standards and directives

Standard conformity	
Degree of protection	EN 60529

Release date: 2018-04-10 09:59 Date of issue: 2018-04-10 285362_eng.xml

Electrical connection



Port/Pin (signal)	Color
1 / 4 (A)	WH
1 / 2 (B)	GY/PK
2 / 4 (A)	GN
2 / 2 (B)	RD/BU
3 / 4 (A)	YE
3 / 2 (B)	WH/GN
4 / 4 (A)	GY
4 / 2 (B)	BN/GN
5 / 4 (A)	PK
5 / 2 (B)	WH/YE
6 / 4 (A)	RD
6 / 2 (B)	YE/BN
7 / 4 (A)	BK
7 / 2 (B)	WH/GY
8 / 4 (A)	VT
8 / 2 (B)	GY/BN
1-8 / 1 (UN)	BN
1-8 / 3 (0 V)	BU
1-8 / 5 (PE)	GN/YE

